



Mack[®] Axles



Bigger payloads. Bigger payoffs.

As a key component of the Mack® integrated powertrain, Mack's efficient and durable axles stand as the clear choice for performance and dependability on any job.

Engineered for a smooth, quiet ride, Mack's versatile axles take the punishment and deliver the performance jobs demand across a wide range of applications.

COMPLETE INTEGRATION

Fully integrated with Mack's MP® engine, transmission and suspension, this complete powertrain is designed to work seamlessly together for maximum efficiency.

LOW COST OF OWNERSHIP

Mack's integrated axles are engineered to reduce downtime, repairs and maintenance, which means lower cost of ownership and better bottom line for you.

BOOSTS FUEL EFFICIENCY

Mack's vocational axles are lighter than the competition and deliver better fuel economy even at high GCWs.

AMERICAN MADE

Every Mack truck sold in North America is built in the U.S. That includes our Mack engines, transmissions and axles.



Feature	Mack	Competition
Durability (B10 Life)	1,000,000 Miles	800,000 Miles
Automatic Torque Biasing: Between Axles	Inter-Axle Power Divider (Standard)	N/A
Automatic Limited Slip	Inter-Wheel Power Divider (Optional)	N/A
Narrow Driveline Angles to Maximize Efficiency and U-Joint Life	Flat, High-Mounted Driveline	Steeply-Angled Driveline
Axle Ground Clearance (Enhances Agility)	2 Inches More	Standard
Creep Load (Max. Low Speed Load)	Exceeds Standard	Standard
Axle Weight Rating Coverage	Wide Offer	Gaps in Offer
Rear Axle Ratio Coverage	Wide Offer	Gaps in Offer
Main Seal Orientation	Top-Mounted Carrier Minimizes Potential Leaks	Vertical Carrier Mounting More Prone to Leaks
Vocational Axle Weights	Lighter than Competition	Standard
Gear/Torque Transfer Architecture	Dual Reduction	Single Reduction
Better Fuel Economy at High GCW	Up to 125K lbs. GCW	Up to 80K lbs. GCW
Industry-Specific Application Guidelines	Straightforward GCW	Many Restrictions
Cast Ductile Iron Axle Housing Option	Extreme Durability	N/A

Smart engineering meets strong performance.

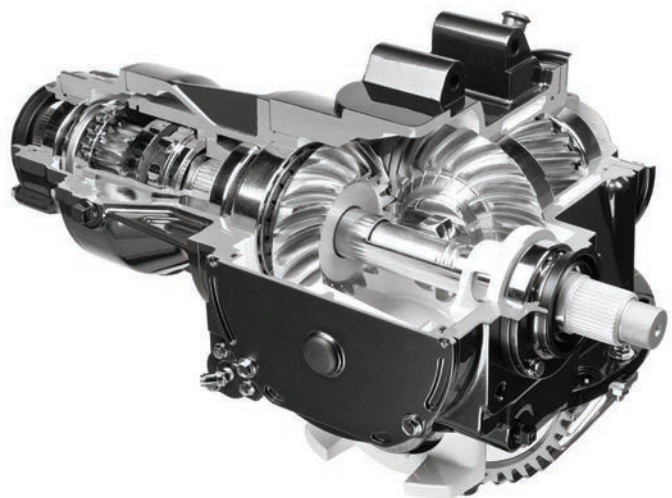
Available in single and tandem configurations, Mack axles are the clear choice for improved performance, greater durability, increased fuel efficiency and a smooth, quiet ride.

Choose between durable cast ductile iron axle housings built with thicker walls to handle the most extreme jobs or our lighter fabricated steel axle housings for reduced weight.



Mack Axle Carriers

Mack's axle carriers are exclusively engineered to lessen friction, reduce stress and maximize energy efficiency to deliver greater performance when you need it most.



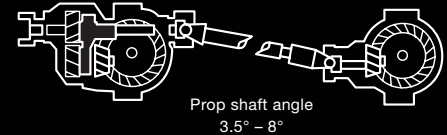
TOP LOADING AXLE CARRIERS

Connecting to the drive shaft above the axle drastically reduces driveline angularity to cut down on vibration and reduce parasitic loss. The straight-through driveline design offers a quieter, smoother drive with longer bearing, U-joint and input seal life, which lowers maintenance expenses.

Mack Driveline



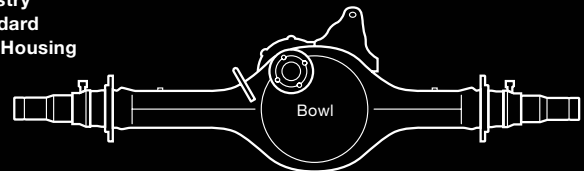
Industry Standard Driveline



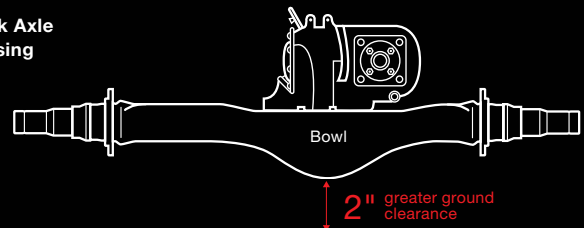
UPTIME BY DESIGN

Our axle housings have tighter tolerances and fewer joints for greater reliability and longer life. The bowl cover is seamlessly integrated into the top of the housing for more durability and improved sealing of moving parts.

Industry Standard Axle Housing



Mack Axle Housing



IMPRESSIVE GROUND CLEARANCE

Mack axle housings have up to nearly 2" of greater ground clearance over our competitors which means greater maneuverability while reducing the potential for high rock damage.

DUAL-REDUCTION ARCHITECTURE

Double reduction gearing reduces the speed from the drive shaft before transmitting torque to the axle shaft. This spreads and balances loading over two gear sets to maximize durability.

ENERGY-EFFICIENT DESIGN

Mack-patented Durapoid bevel gear design eliminates localized stress and tooth-end loading to maximize energy efficiency and gear life. It also reduces frictional losses to improve fuel economy.



Durapoid bevel gears

Mack Power Dividers

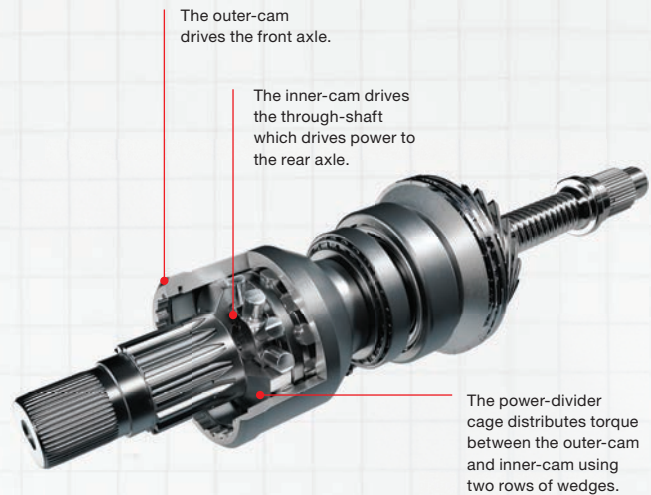
Inter-axle power divider

Divide and conquer.

Mack power dividers automatically divert energy from axles with no traction to axles that have traction. Which means no switches or driver intervention is needed.

POWER WHERE YOU NEED IT

Mack inter-axle power dividers automatically distribute up to 75% of torque to the axle with traction to maximize pulling power, optimize efficiency and reduce unnecessary tire wear. No driver intervention is needed.



NO GEARS. NO PROBLEMS.

Mack power dividers contain no gears to provide less friction loss during torque transmittal compared to a competitor's bevel gear power-divider differential.

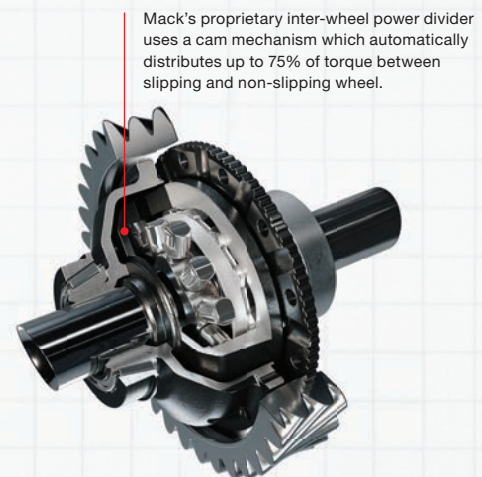
Inter-wheel power divider

Engineered to excel.

Mack's proprietary inter-wheel power divider works in the same manner as the inter-axle power divider with torque biasing occurring from wheel to wheel to preserve traction, even at high speeds.

TRACTION WHERE IT COUNTS

The inter-wheel power divider may be used in conjunction with the inter-axle power divider to provide increased driveability in poor traction situations.

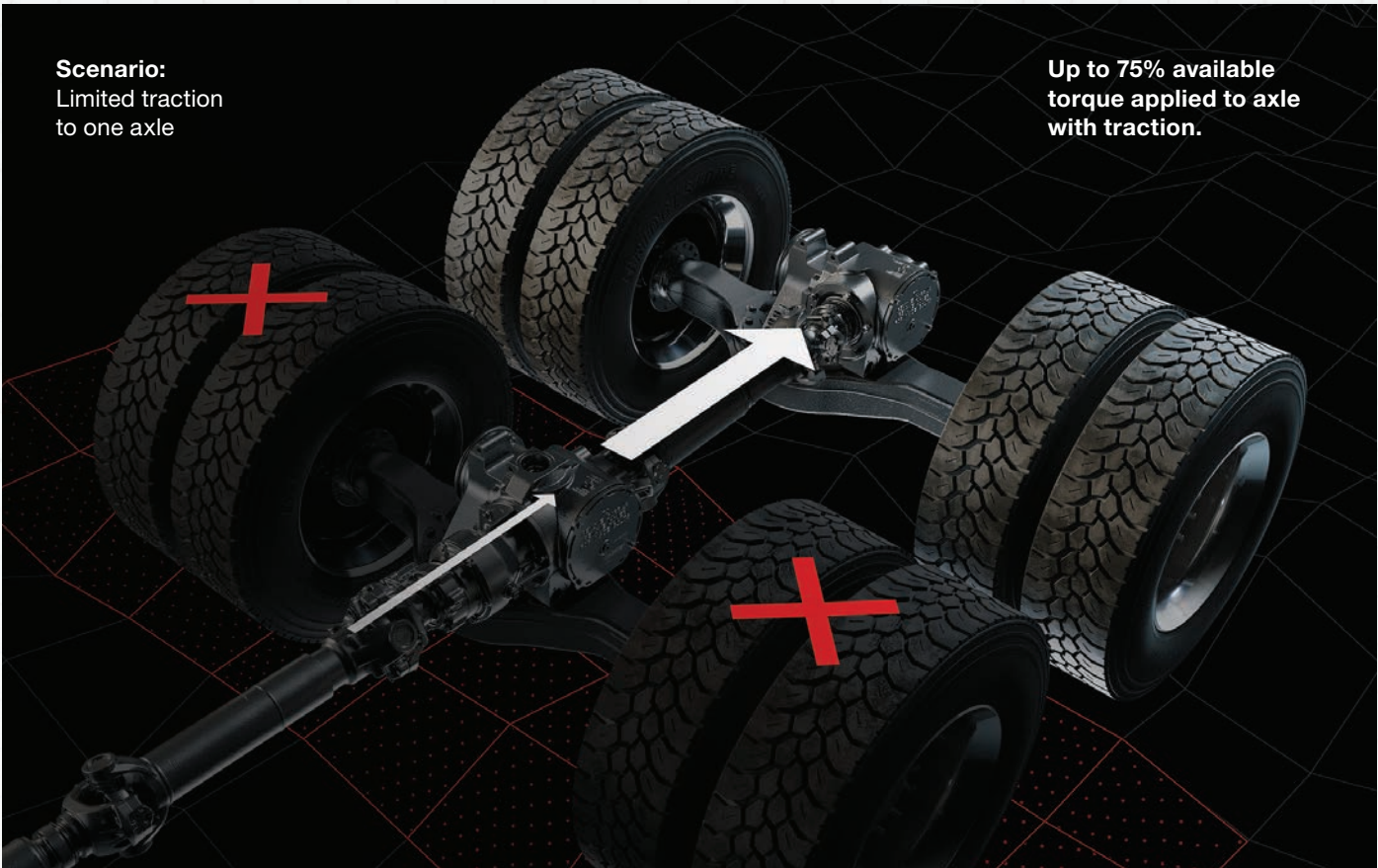


OPTIONAL LOCKOUTS

For maximum control in difficult situations, Mack has an optional driver-controlled power divider lockout to manually lock the drive axles, plus an optional driver-controlled inter-wheel differential lockout ("diff lock").

Scenario:
Limited traction
to one axle

Up to 75% available
torque applied to axle
with traction.



Scenario:
Limited traction
to one wheel

Up to 75% available
torque applied to
wheel with traction.







1-800-922-MACK
MackTrucks.com

©2020 Mack Trucks, Inc.

 facebook.com/MackTrucks

 twitter.com/MackTrucks

 youtube.com/MackTrucks

 linkedin.com/company/Mack-Trucks

 instagram.com/MackTrucks